

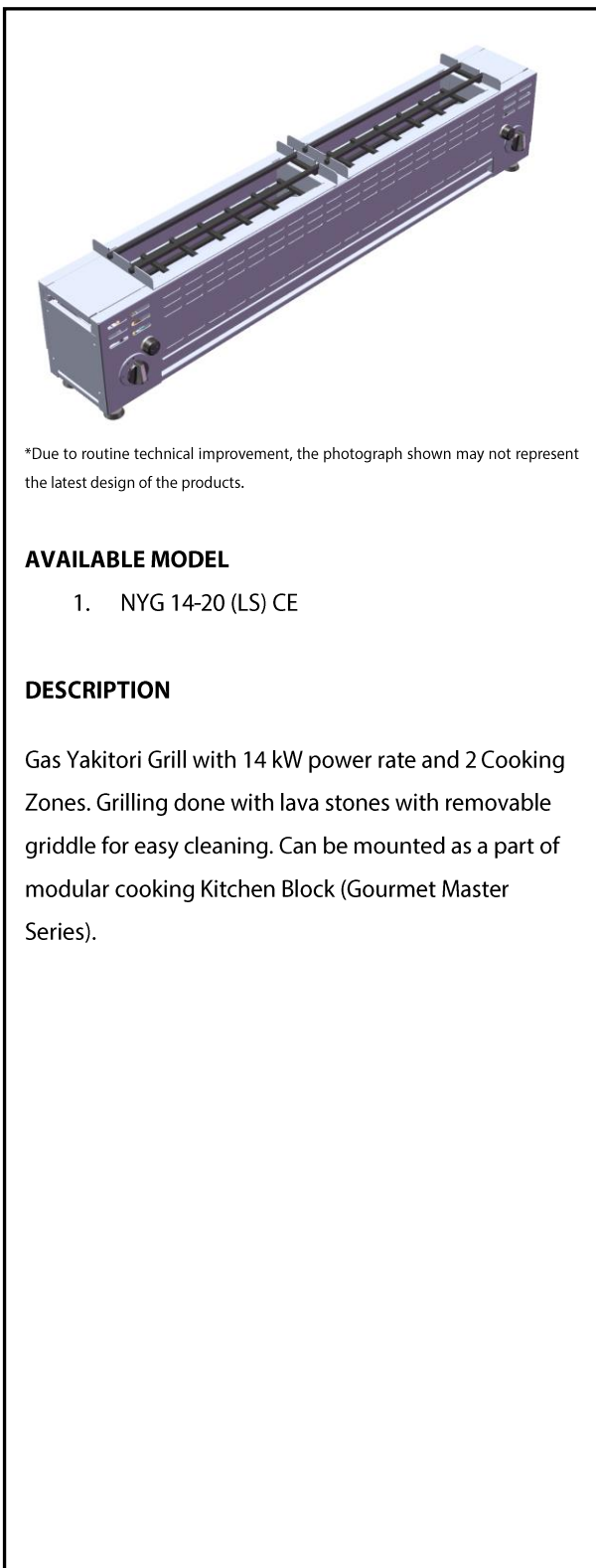


Total Food-Service Solutions

Modular Cooking –Chinese Pro

Gas Yakitori Grill

NYG 14-20 (LS) CE



*Due to routine technical improvement, the photograph shown may not represent the latest design of the products.

AVAILABLE MODEL

1. NYG 14-20 (LS) CE

DESCRIPTION

Gas Yakitori Grill with 14 kW power rate and 2 Cooking Zones. Grilling done with lava stones with removable griddle for easy cleaning. Can be mounted as a part of modular cooking Kitchen Block (Gourmet Master Series).

ITEM# : _____

MODEL# : _____

NAME : _____

SN : _____

MAIN FEATURE

- Powerful 14 kW Yakitori Grill supplied complete with lava stones.
- 2 Cooking Zone with 2 control knob, which can be used individually or together.
- The heating is indirect on the burners with lava stones, which deliver heat to the food.
- Oil tray included.
- Piezzo ignition system.

CONSTRUCTION

- 304 AISI Stainless Steel constructions throughout.
- 5 Liters drip tray.
- Piezo ignition, pilot-burner and thermocouple valve for safety.

INCLUDED ACCESSORIES

- Cooking Grill.
- Extra Nozzle (Burner & Pilot Burner).
- Lava Stone.

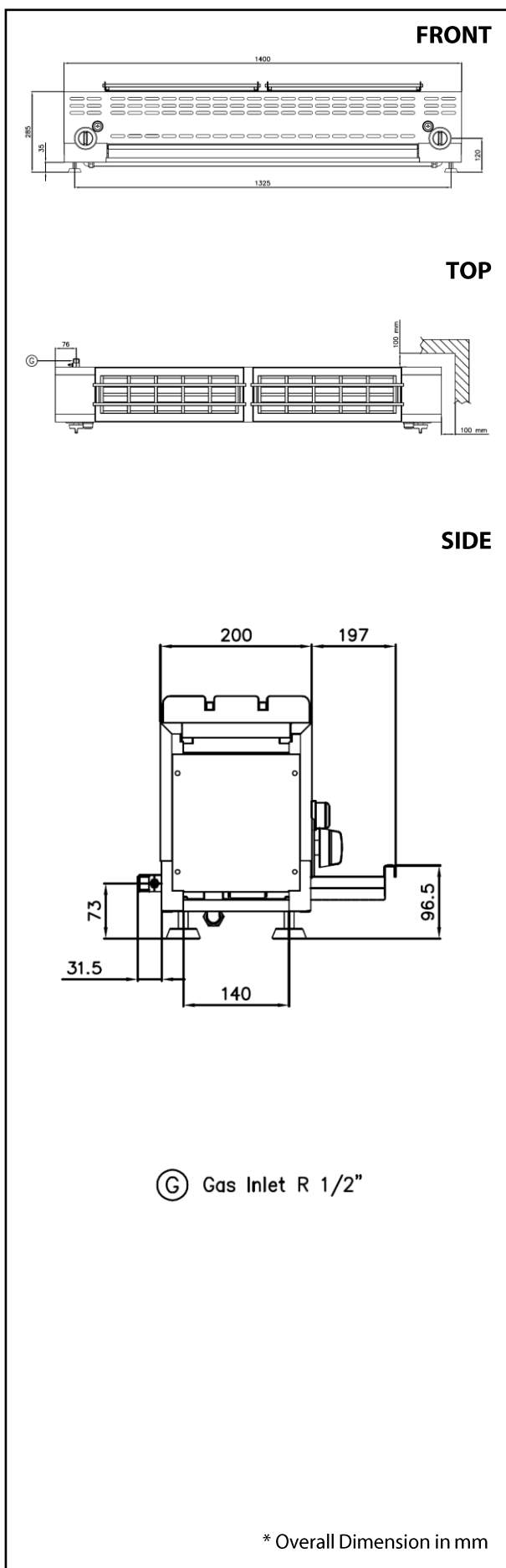
OPTIONAL ACCESSORIES

- N/A

The company reserves the right to make modifications to the products without prior notice. All information correct at time of printing.

2017.12.23





GAS

Gas Power	:	14 kW (12,040kCal/h)
Gas Type Option	:	G30/G31, G20
Gas Connection	:	1/2"
LPG Gas Pressure	:	G30 : 28 mbar G31 : 37 mbar

KEY INFORMATION

Cooking Surface	:	2x(500x136) mm
Number of Burners	:	2
Direct Heat Emission	:	4.9 kW
Latent Heat Emission	:	5.6 kW
Steam Emission	:	8.23 kg/h
Shipping Height	:	-
Shipping Width	:	-
Shipping Depth	:	-
Shipping Volume	:	-